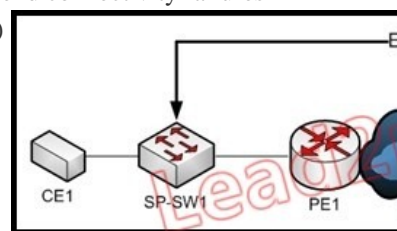


[January 2018 352-001 Exam Questions Free Download From Lead2pass 510q

Best Lead2pass Cisco 352-001 PDF Dumps With New Update Exam Questions: <https://www.lead2pass.com/352-001.html>

QUESTION 1A company plans to include Nonstop Forwarding and Bidirectional Forwarding Detection as a part of their network redundancy plan. In which two ways do NSF and BFD work together when different hardware platforms are compared? (Choose two.) A. During supervisor engine or routing engine failover, the NSF feature will always ensure that the BFD at the peer router will not trigger a link down independent of the used hardware platform. B. At some hardware platforms, BFD and NSF are not supported together. During supervisor engine or routing engine failover, the BFD at the peer router will trigger a link down. C. To ensure that BFD at the peer router will not trigger a link down during NSF, the BFD packets must be processed fast enough, and, during supervisor engine or routing engine failover, by processing the BFD independent from the supervisor engine or routing engine. D. Because BFD is always processed at the line cards (not at the supervisor engine or routing engine), a supervisor engine or routing engine failover will not affect the BFD peer router. E. Because BFD is always processed at the supervisor engine or routing engine, a supervisor engine or routing engine failover will always trigger a link down at the peer router. Answer: BC

QUESTION 2 Refer to the exhibit. A service provider would like to use Ethernet OAM to detect end-to-end connectivity failures between SP-SW1 and SP-SW2. In which two of these ways can you design this solution? (Choose two.)



A. Enable Y.1731 Connectivity Fault Management on the SP switches. B. E-LMI PDUs must be forwarded over VPLS. C. Cisco Discovery Protocol PDUs must be forwarded over the VPLS. D. Use upward maintenance endpoints on the SP switches. E. Enable IEEE 802.1ag Connectivity Fault Management on the SP switches. Answer: DE

QUESTION 3A network design shows two routers directly connected to an Ethernet switch using optical connections. There is an OSPF adjacency between the routers. In this design, which solution will ensure that interface down detection is reported as quickly as possible to the IGP? A. optimized OSPF SPF timers B. Bidirectional Forwarding Detection C. automatic protection switching D. optimized OSPF LSA timers E. Ethernet OAM CFM monitoring Answer: B

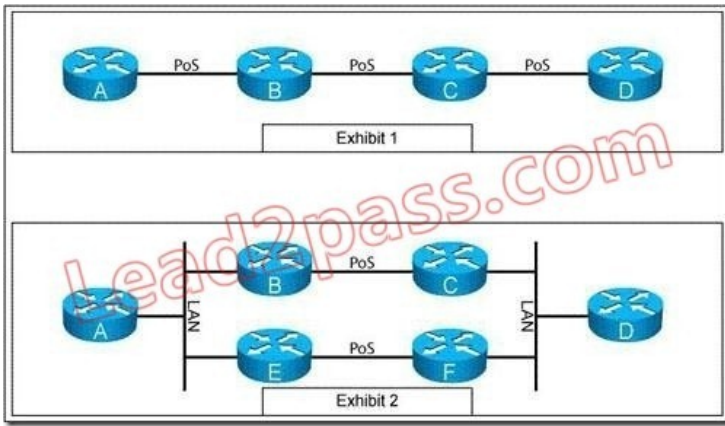
QUESTION 4A network designer is working with a company to improve convergence at the Layer 2 control plane and decides to use LACP. Which of these components does LACP use to create the system ID? A. LACP system priority and switch MAC address B. LACP port priority and switch MAC address C. LACP port priority and port number D. LACP system priority and port number Answer: A

QUESTION 5How are community formats sent in SNMPv1 and SNMPv2c? A. In both protocols they are encrypted. B. In both protocols they are sent as clear text. C. In SNMPv1 they are sent as clear text and in SNMPv2c they are encrypted. D. In SNMPv1 they are sent as clear text and in SNMPv2c they are sent as part of an encrypted session. Answer: B

QUESTION 6You are deploying OSPF on a point-to-multipoint Frame Relay network. The remote sites do not need to be able to communicate with each other and there are a relatively small number of sites (scaling is not a concern). How should you configure OSPF for this topology to minimize the additional routing information injected into the network and keep the configuration size and complexity to a minimum? A. Configure the link at the hub router as OSPF point-to-multipoint and at the remote routers as OSPF point-to-point. B. Configure the link as OSPF broadcast and configure the hub router to always be the designated router. C. Configure the link as OSPF nonbroadcast and manually configure each of the remote sites as a neighbor. D. Configure the link as OSPF broadcast and configure a mesh group towards the remote routers. Answer: B

QUESTION 7Which two practices should you implement to increase SNMPv1 security? (Choose two.) A. Restrict access to the specific SNMP engine IDs in use. B. Use ACLs to allow only specific IP addresses to poll SNMP. C. Use a combination of alphanumeric characters for the community strings. D. Use SNMP encryption for transport confidentiality. Answer: BC

QUESTION 8Refer to the exhibits. You have been asked to review a proposal for adding redundancy to the non-redundant network in Exhibit 1. Exhibit 2 shows the proposed redundant network. Which technology would provide faster convergence over the newly introduced layer 2 domains?



A. Bi-directional Forwarding Detection
B. Rapid Spanning Tree
C. Unidirectional Link Detection
D. Hot Standby Router Protocol
Answer: A

352-001 dumps full version (PDF&VCE): <https://www.lead2pass.com/352-001.html> Large amount of free **352-001** exam questions on Google Drive: <https://drive.google.com/open?id=0B3Syig5i8gpDaUphM0lMOWRjUU0> You may also need: 200-310 exam dumps: <https://drive.google.com/open?id=0B3Syig5i8gpDUE9zeHd2YUFFNUE> 300-101 exam dumps: <https://drive.google.com/open?id=0B3Syig5i8gpDbHBiVVk1ZVhpOGc> 300-115 exam dumps: <https://drive.google.com/open?id=0B3Syig5i8gpDM0pqaFJWUXVuM2M> 300-320 exam dumps: <https://drive.google.com/open?id=0B3Syig5i8gpDUGlzdWdZNHUwZ28>